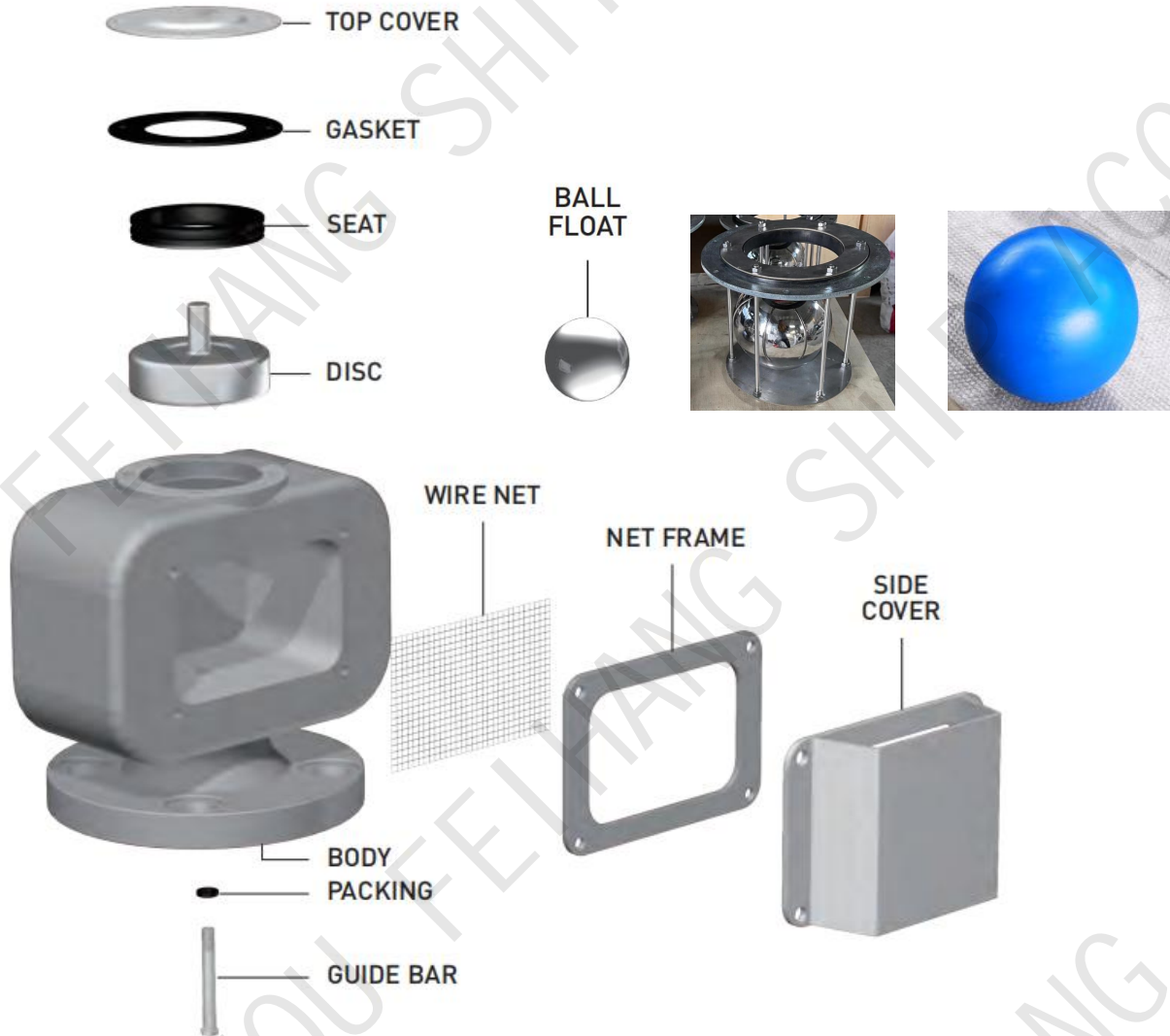


# AIR PIPE HEAD PARTS



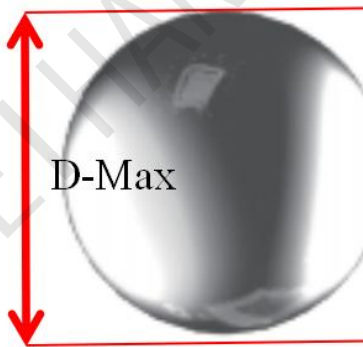
**MADE IN CHINA**

**CHINA JIANGSU ● YANGZHOU FEIHANG**

**SHIP ACCESSORIES FACTORY**

# HOW TO ORDER FOR FLOATING DISC

PLEASE VERIFY THE SIZE

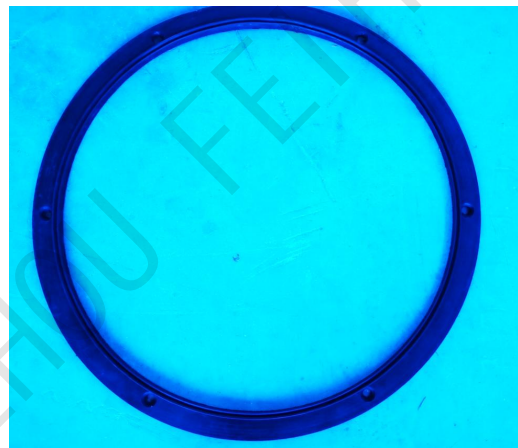
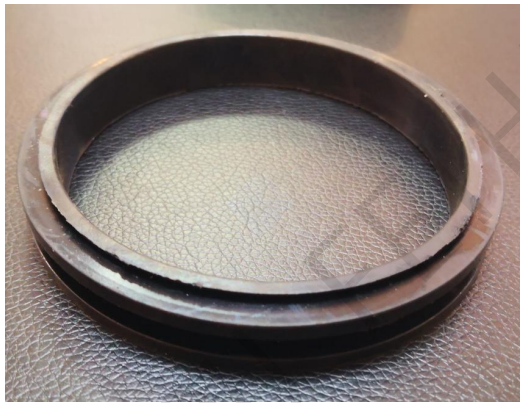


**BALL  
FLOAT**

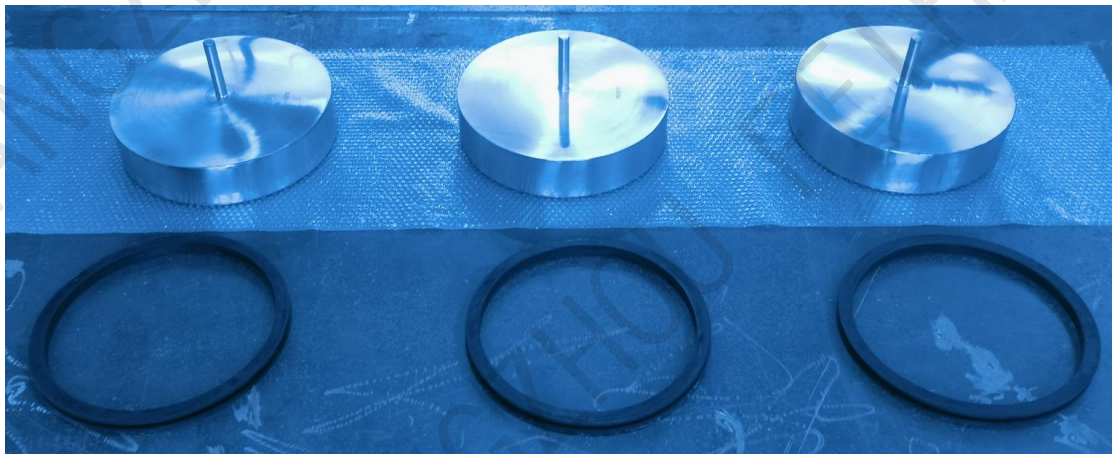
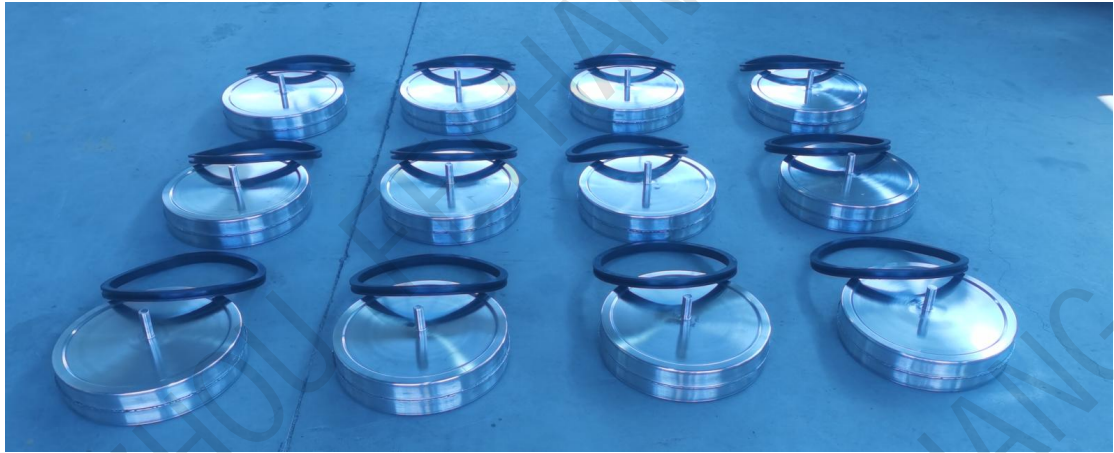
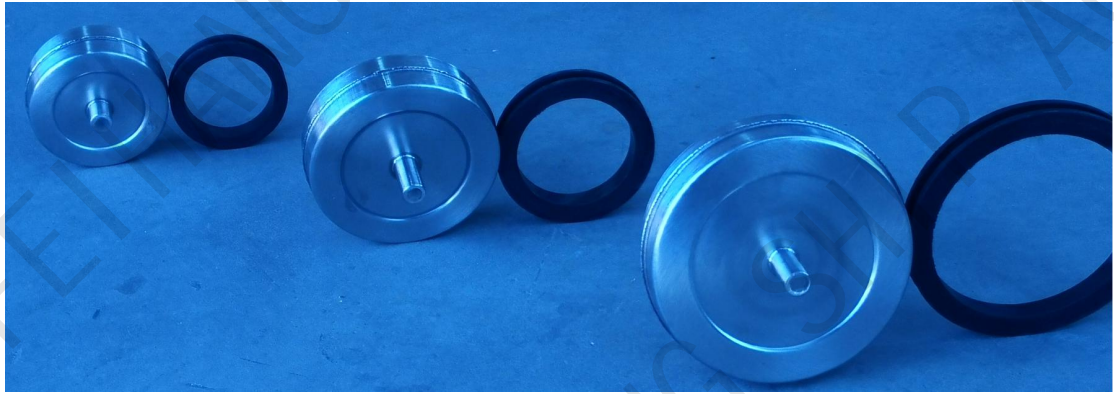
STAINLESS STEEL 304/316 MATERIAL		PE	
			
D=50,60,63,65	D=75,76,80	D=85	D=100
D=90,,94,100	D=96,102	D=130	D=155
D=120,110	D=130,135,150	D=185	D=240
D=168,177,157	D=200,190	D=300	D=345
D=225,230	D=250,240	D=185	D=240
D=280	D=300	D=300	D=400
D=320	D=350	D=420	D=500
D=380	D=400		

UNIT(mm)

**SEAT/RUBBER GASKET FOR AIR VENT HEAD**

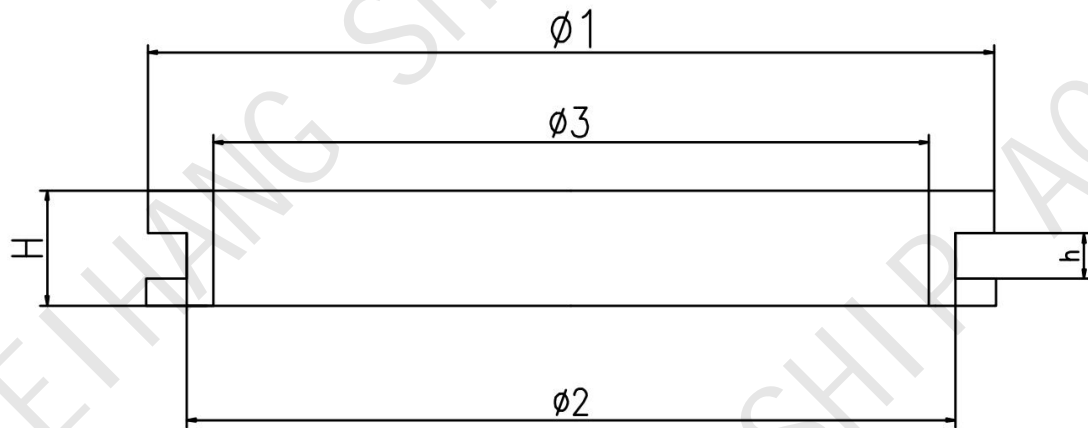






# HOW TO ORDER FOR RUBBER GASKET

PLEASE VERIFY THE SIZE



SIZE	$\phi 1$		$\phi 2$		$\phi 3$		$H$		$h$	
	Used	New	Used	New	Used	New	Used	New	Used	New
DN 50	58.5	68.5	52	62.5	41.5	50	13.5	13.5	7.5	8
DN 65	73	83.5	67.5	76.5	56.5	65	13.5	14	8	8
DN 80	94	103	84	94	71	80	14.5	15	8.5	8.5
DN 100	115	127	100	112	90	100	15	15.5	8.5	8.5
DN 125	139	150	125	137	114	125	14	14.5	7	8
DN 150	162	176	150	166	135	150	14	14.5	7	8
DN 200	227	234	204	211	192	200	20	20	10	10
DN 250	274	283	250	259	240	250	19	20.5	10	10.5
DN 300	325	334	300	310	288	300	20	20	10	10
DN 350	374	390	350	373	338	350	20	20	10	10
DN 400	429		404		386		21		11	
DN 450	470		404		451		22		10	



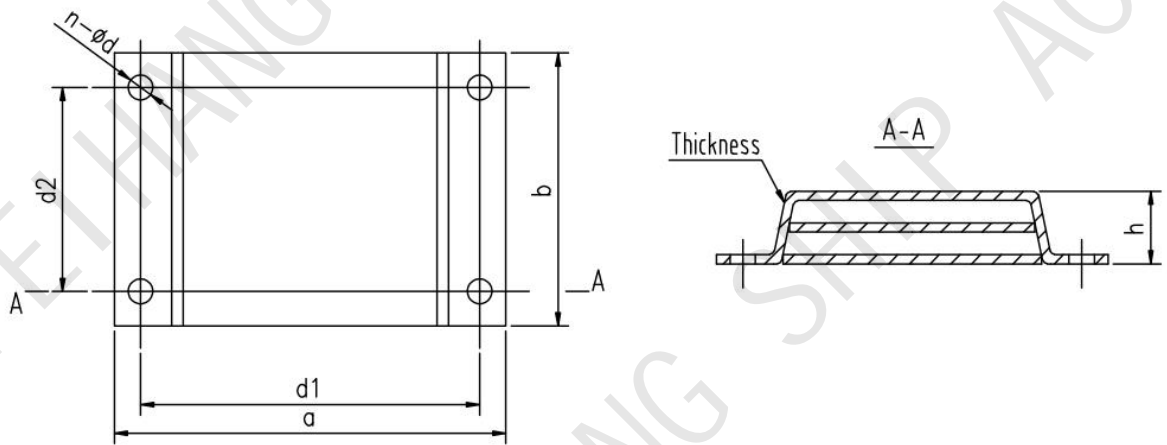
## SIDE COVER FOR AIR VENT HEAD



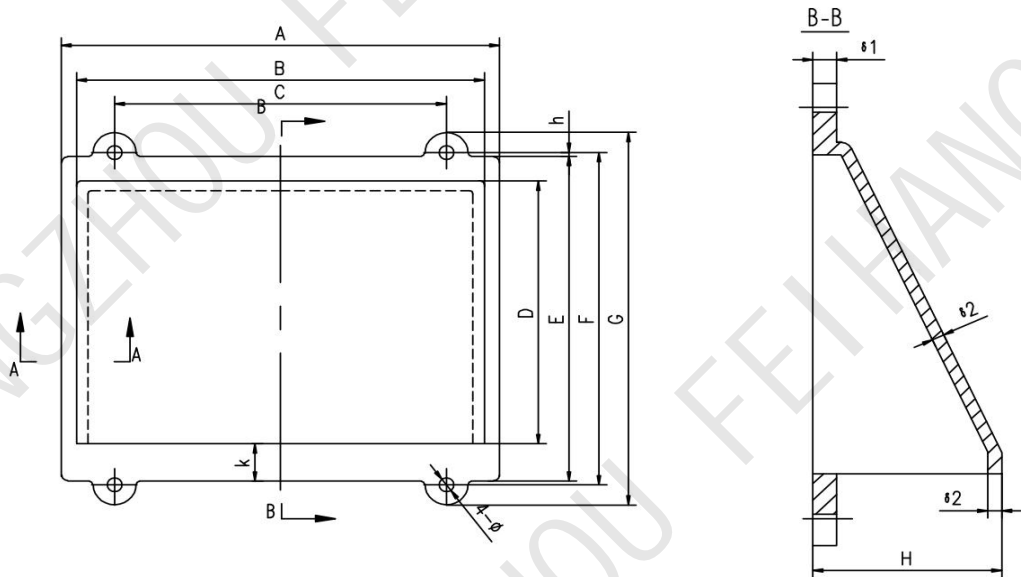
# HOW TO ORDER FOR SIDE COVER

PLEASE VERIFY THE SIZE

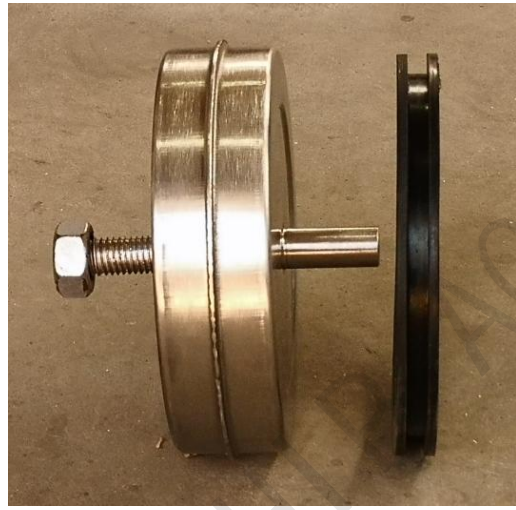
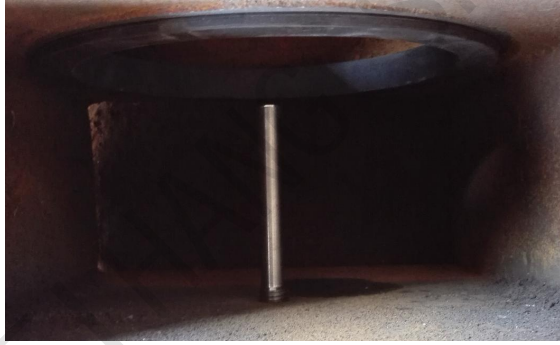
## MODEL ONE



## MODEL TWO



# GUIDE BAR FOR AIR VENT HEAD



**HOW TO ORDER FOR SIDE COVER  
PLEASE VERIFY THE SIZE**

